

**e-Xtreme™**

# **Electric Airless Sprayer**



The electric solution for spraying protective coatings



PROVEN QUALITY. LEADING TECHNOLOGY.

# The Graco e-Xtreme is the King of Airless Sprayers

The Graco e-Xtreme™ Electric Airless Sprayer is the world's first electric sprayer for protective coatings approved for hazardous locations. The e-Xtreme sprayer operates on a more reliable, convenient and available electric power source, which rectifies job site inefficiencies associated with compressors. Furthermore, electric technology reduces pulsation and prevents motor icing, making your jobs run smoother every single time.



## Electric

When wired correctly, electric power is safe, reliable and convenient for you and your customers. If your air compressor stops working, you no longer have to stop production. The days of essential maintenance on large-scale compressors are over.



## No Icing

By eliminating the need for an air motor, it is possible to avoid all icing problems. Icing may be more prevalent in conditions with a high level of humidity, resulting in a slowing of the motor and loss of pressure which can be detrimental to your production rates. The e-Xtreme sprayer is an electric solution that will keep you spraying at the pump's maximum potential.



## Reduced Noise

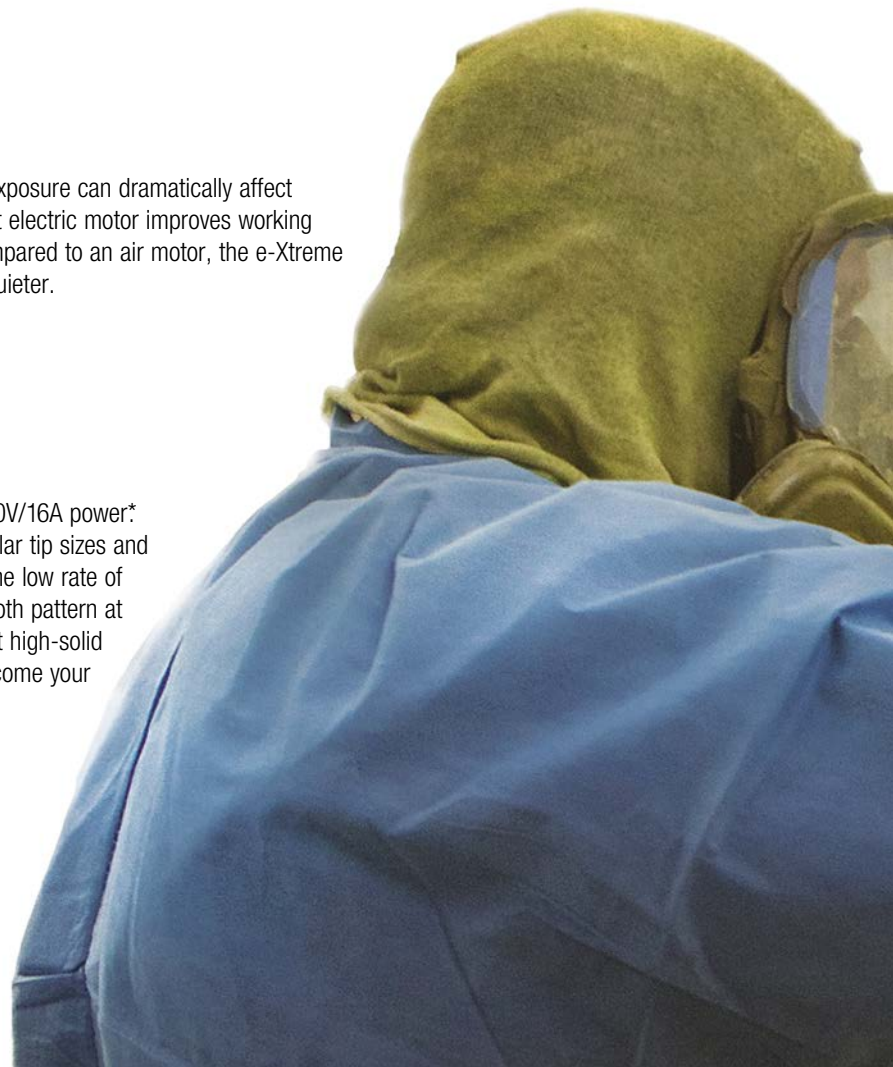
No matter the application, noise exposure can dramatically affect your working conditions. The quiet electric motor improves working conditions significantly. When compared to an air motor, the e-Xtreme sprayer is up to five times more quieter.



## Plug-in & Spray

The e-Xtreme sprayer runs on 240V/16A power\*. Able to handle Graco's most popular tip sizes and with a smooth pattern thanks to the low rate of pulsation. You will notice the smooth pattern at the gun. Capable of spraying most high-solid coatings – it is sure to quickly become your go-to sprayer!

*\*If wall power is unavailable, consider a small portable generator. Follow local regulations for power connections in hazardous locations.*







### ATEX approved

Get the job done safely: compared to other electric sprayers, the e-Xtreme sprayer is approved for hazardous locations. ATEX, IECEx, and Class 1, Div. 1 approvals\* mean this sprayer can be used in chemical plants, paint shops, refineries and off-shore, or in any location where generating a spark is of concern.

*\*See product manual for specifics on approvals for use in hazardous locations and proper wiring requirements.*



### Energy Savings

With improved efficiency and an overall lower cost of ownership, the e-Xtreme sprayer is the most cost-effective solution when compared to pneumatic airless sprayers. The sprayer saves up to 80% of energy costs when compared to an air operated sprayer\*. By removing the need for an expensive, heavy air compressor - you can stay productive by using the most reliable power source available – electricity!

*\*Study completed on pump pressure of 241 bar (3500 psi) for 20 hours/week; spraying 1226 L (324 gal) of 73% volume solids epoxy with XHD519 tip.*



### Three-year warranty

Every piece of equipment we manufacture comes with one of the industry's strongest warranties. e-Xtreme sprayers offer a three-year warranty on the gear train, chassis, and electric motor. Electronics cover and all other e-Xtreme sprayer driver parts are covered by the standard one-year warranty. See product manual for specifics on all warranty information.

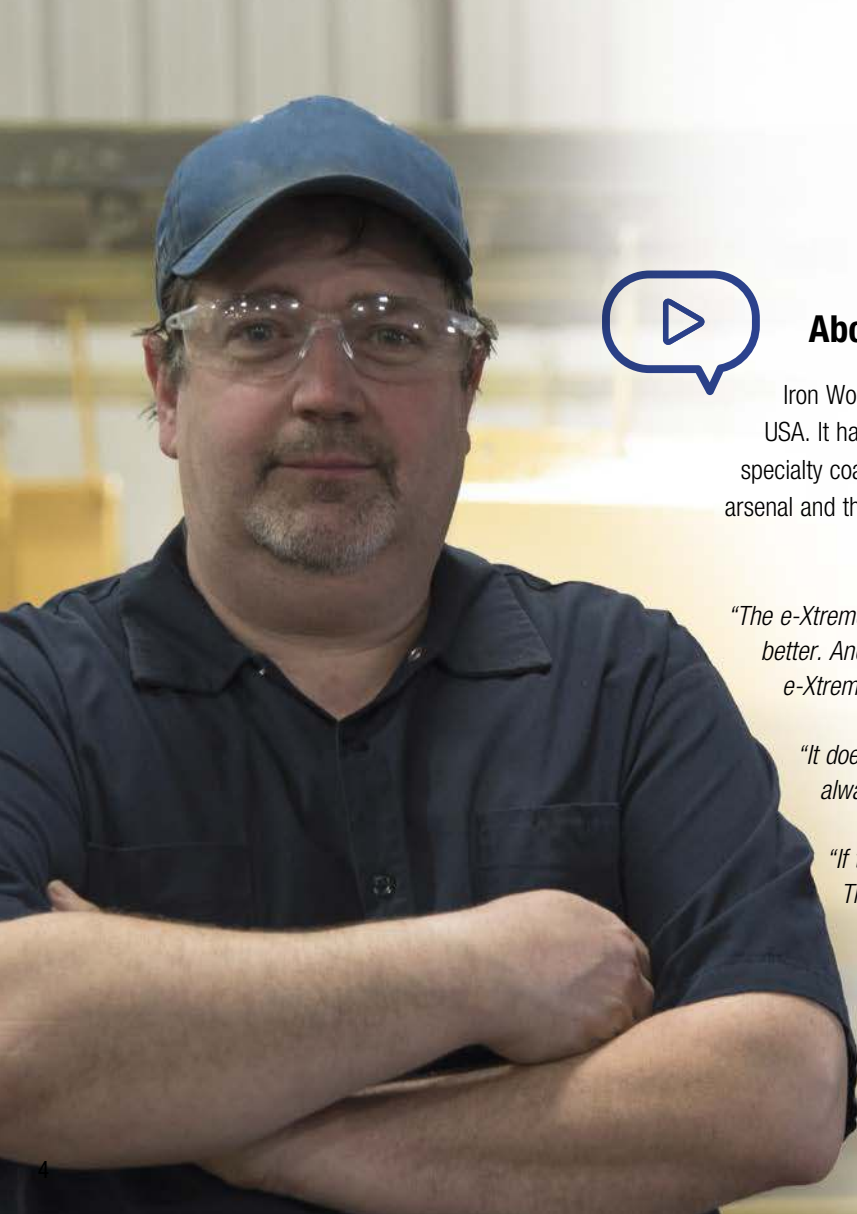


# Whatever the application, Graco has the Solution

The Graco e-Xtreme Electric Airless Sprayer is a more energy efficient coating sprayer than the majority of sprayers on the market. Not only that, but it has a low cost of ownership due to the lack of compressor maintenance costs. In other words, you save money every single day.

## Applications

- Chemical plants
- In-plant paint shops
- Marine
- Metal fabrication
- Rail
- Refineries & off shore
- Storage tanks
- Structural steel
- Water and wastewater coatings



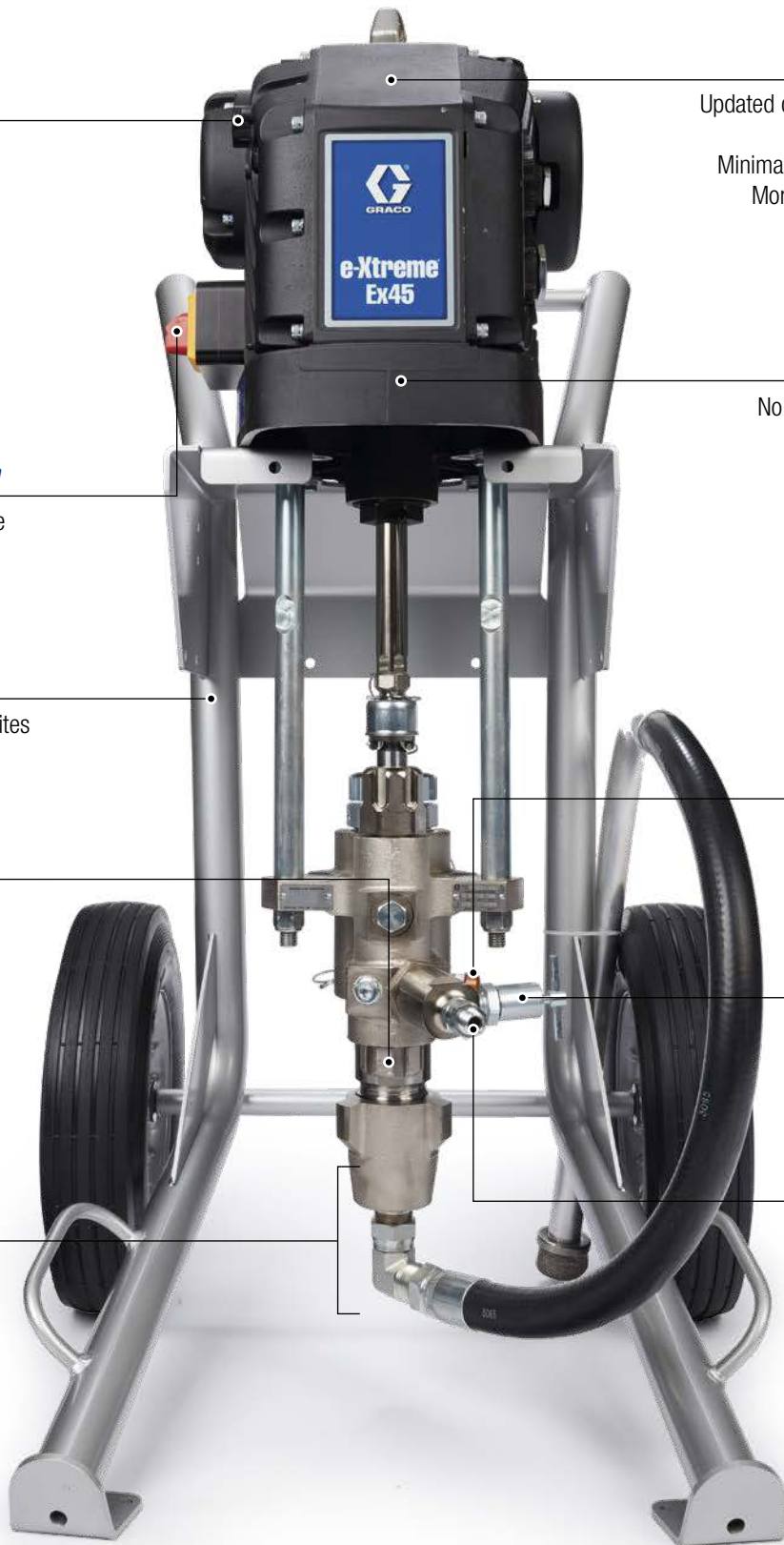
### About the customer

Iron Works is a custom steel manufacturer located in Becker, Minnesota, USA. It has an on-site blasting and painting operation capable of handling specialty coating and linings. Iron Works has a Graco e-Xtreme Sprayer in its arsenal and the team has been very satisfied with the results!

*"The e-Xtreme sprayer is just as productive as air-operated pumps, if not better. And it doesn't matter what type of coating – from thin to thick – the e-Xtreme sprayer can spray it."*

*"It doesn't fluctuate like air pumps do. It's much more consistent and always has a good pattern regardless of which tip you use."*

*"If the compressor fails, you can still paint. That is of huge benefit to us."*



**Pressure Control Knob**

Minimal training required

**New Driver**

Updated driver for maximum safety while spraying in hazardous locations  
Minimal service driver requires only oil.  
More up time, less hassle, reduced maintenance costs

**Built-in Disconnect Switch**

Designed for use in explosive atmospheres

**Electrically Operated**

No compressor maintenance costs  
Runs on 240V/16A power  
Low cost of ownership  
Energy efficient

**Heavy Duty Cart**

Built for use on rugged job sites

**Xtreme Lower**

145cc – Ex45  
180cc – Ex35

**Burst Disk**

Prevents over pressure of spray line

**Drain/Purge Valve**

Helps to eliminate cured material build-up

**Inlet Housing and Suction Set**

Reduced material and solvent requirements when priming/flushing

**Check Valve**

Helps maintain consistent fluid pressure

# Which System is Right For You?

The e-Xtreme Electric Airless Sprayers are available in two models: Ex45 and Ex35. Regardless of the maximum working pressure you require, Graco has the right sprayer for you.



MODEL	e-Xtreme® Ex45	e-Xtreme® Ex35
Maximum Working Pressure	310 bar (4500 psi, 31.0 MPa)	240 bar (3500 psi, 24.0 MPa)
Maximum Recommended Tip Size*	0.53 mm (0.021 in) @ 276 bar (4000 psi, 28 MPa) spray pressure	0.58 mm (0.023 in) @ 220 bar (3200 psi, 22 MPa) spray pressure
Weight	135 kg (295 lb)	135 kg (295 lb)
Overall Dimensions (W x H x D)	65.40 x 123.82 x 73.66 cm (25.75 x 48.75 x 29 in)	65.40 x 123.82 x 73.66 cm (25.75 x 48.75 x 29 in)
Operating Temperature Range	-5°C to 50°C (23°F to 120°F)	-5°C to 50°C (23°F to 120°F)
Input Voltage	200 to 240V, single phase, 50/60 Hz	200 to 240V, single phase, 50/60 Hz
Input Power	2.5 kVa	2.5 kVa
Sound Pressure	70 dB (A)	70 dB (A)
Pump Lower	145cc	180cc
Operation Manual	3A3164	3A3164

\*See flow versus pressure graphs in operation manual if using a large tip size.



# Ordering Information

## e-Xtreme Ex45 Series – 310 bar (4500 psi, 31.0 MPa)

- 24Y901..... Cart mount, integrated filter, complete package
- 24Y902..... Cart mount, integrated filter, bare package
- 24Y903..... Cart mount, no filter, complete package
- 24Y904..... Cart mount, no filter, bare package
- 24Y905..... Cart mount, SS hopper, integrated filter, complete package
- 24Y906..... Cart mount, SS hopper, integrated filter, bare package
- 24Y907..... Cart mount, SS hopper, no filter, complete package
- 24Y908..... Cart mount, SS hopper, no filter, bare package
- 24Y909..... Wall mount, integrated filter, complete package
- 24Y910..... Wall mount, integrated filter, bare package
- 24Y911..... Wall mount, no filter, complete package
- 24Y912..... Wall mount, no filter, bare package

## e-Xtreme Ex35 Series – 240 bar (3500 psi, 24.0 MPa)

- 24Z901..... Cart mount, integrated filter, complete package
- 24Z902..... Cart mount, integrated filter, bare package
- 24Z903..... Cart mount, no filter, complete package
- 24Z904..... Cart mount, no filter, bare package
- 24Z905..... Cart mount, SS hopper, integrated filter, complete package
- 24Z906..... Cart mount, SS hopper, integrated filter, bare package
- 24Z907..... Cart mount, SS hopper, no filter, complete package
- 24Z908..... Cart mount, SS hopper, no filter, bare package
- 24Z909..... Wall mount, integrated filter, complete package
- 24Z910..... Wall mount, integrated filter, bare package
- 24Z911..... Wall mount, no filter, complete package
- 24Z912..... Wall mount, no filter, bare package

Complete packages include: XTR-5 spray gun with 519 tip; 3/8 in x 15.2 m (50 ft) Xtreme-Duty™ hose; 1.8 m (6 ft) whip hose.

## Accessories

- 24F971..... Repair kit for Ex45, lower (145cc)
- 24F969..... Repair kit for Ex35, lower (180cc)
- 244459..... 60 mesh fluid filter element, twin pack
- 244468..... 100 mesh fluid filter element, twin pack
- 16W645..... Gear box oil for electric driver (1 litre)
- 24Z274..... Replacement suction hose kit, 1 in NPT, 1 m (3 ft)\*
- 24Z266..... Suction hose kit, 5 gal (20 l) pail, 2 m (6 ft)\*
- 24Z270..... Suction hose kit, 55 gal (208 l) pail, 2 m (10 ft)\*
- 24Z267..... Cable assembly, with 1 gland, 8 m, hazardous locations\*\*
- 24Z268..... Cable assembly, with 1 gland, 15 m, hazardous locations\*\*
- 24Z269..... Cable assembly, with 1 gland, 30 m, hazardous locations\*\*
- 24Z271..... Cable assembly, with 2 glands, 8 m, hazardous locations\*\*\*
- 24Z272..... Cable assembly, with 2 glands, 15 m, hazardous locations\*\*\*
- 24Z273..... Cable assembly, with 2 glands, 30 m, hazardous locations\*\*\*
- 121171..... Cable insert for non-hazardous locations only, no cable



\*Wall mount packages require a suction hose kit, sold separately.

\*\*1-gland cables have a single gland rated for use in hazardous locations. Recommended when the power supply is outside the hazardous location.

\*\*\*2-gland cables are rated at both ends, allowing for connection to a power supply rated for use within the hazardous location.



## ABOUT GRACO

Founded in 1926, Graco is a world leader in fluid handling systems and components. Graco products move, measure, control, dispense and apply a wide range of fluids and viscous materials used in vehicle lubrication, commercial and industrial settings.

The company's success is based on its unwavering commitment to technical excellence, world-class manufacturing and unparalleled customer service. Working closely with qualified distributors, Graco offers systems, products and technology that set the quality standard in a wide range of fluid handling solutions. Graco provides equipment for spray finishing, protective coating, paint circulation, lubrication, and dispensing sealants and adhesives, along with power application equipment for the contractor industry. Graco's ongoing investment in fluid management and control will continue to provide innovative solutions to a diverse global market.

## GRACO LOCATIONS

### MAILING ADDRESS

P.O. Box 1441  
Minneapolis, MN 55440-1441  
Tel: 612-623-6000  
Fax: 612-623-6777

### AMERICAS

#### MINNESOTA

Worldwide Headquarters  
Graco Inc.  
88-11th Avenue N.E.  
Minneapolis, MN 55413

### EUROPE

#### BELGIUM

European Headquarters  
Graco BVBA  
Industrieterrein-Oude Bunders  
Slakweidestraat 31  
3630 Maasmechelen,  
Belgium  
Tel: 32 89 770 700  
Fax: 32 89 770 777

### ASIA PACIFIC

#### AUSTRALIA

Graco Australia Pty Ltd.  
Suite 17, 2 Enterprise Drive  
Bundoora, Victoria 3083  
Australia  
Tel: 61 3 9468 8500  
Fax: 61 3 9468 8599

#### CHINA

Graco Hong Kong Ltd.  
Shanghai Representative Office  
Building 7  
1029 Zhongshan Road South  
Huangpu District  
Shanghai 200011  
The People's Republic of China  
Tel: 86 21 649 50088  
Fax: 86 21 649 50077

### INDIA

Graco Hong Kong Ltd.  
India Liaison Office  
Room 432, Augusta Point  
Regus Business Centre 53  
Golf Course Road  
Gurgaon, Haryana  
India 122001  
Tel: 91 124 435 4208  
Fax: 91 124 435 4001

#### JAPAN

Graco K.K.  
1-27-12 Hayabuchi  
Tsuzuki-ku  
Yokohama City, Japan 2240025  
Tel: 81 45 593 7300  
Fax: 81 45 593 7301

#### KOREA

Graco Korea Inc.  
Shinhan Bank Building  
4th Floor #1599  
Gwanyang-Dong, Dongan-Ku,  
Anyang-si, Korea 431-060  
Tel: 82 31 476 9400  
Fax: 82 31 476 9801

All written and visual data contained in this document is based on the latest product information available at the time of publication. Graco reserves the right to make changes at any time without notice.

Graco is certified ISO 9001.



Europe  
+32 89 770 700  
FAX +32 89 770 777  
WWW.GRACO.COM

©2016 Graco BVBA 349691ENEU Rev. A 08/16 Printed in Europe.  
All other brand names or marks are used for identification purposes and are trademarks of their respective owners.