

# TCR-6000/2 AIR HOIST

## STANDARD FEATURES

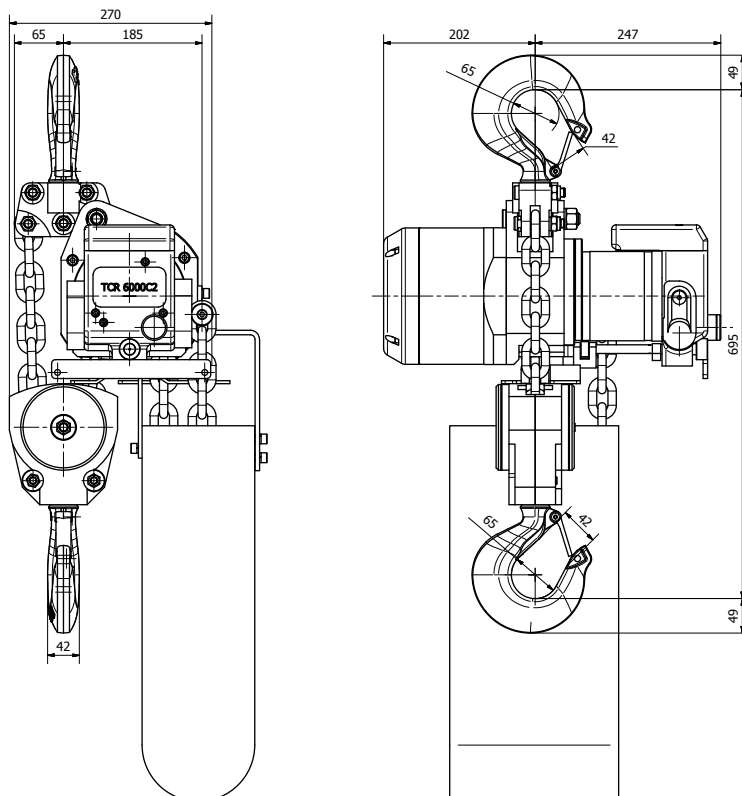
- ▷ Toku rotary vane motor
- ▷ ATEX zone 2 specification
- ▷ Robust epicycle gearbox
- ▷ Failsafe automatic internal disc brake
- ▷ Mechanical upper & lower switches
- ▷ Cast steel housing
- ▷ Internal silencing down to 83 dB(A)
- ▷ Alloy safety swivel hooks with safety catch
- ▷ Load chain 11.2 x 34mm of European manufacture to EN818-7
- ▷ Automatic load limiter

## AVAILABLE OPTIONS

- ▷ Marine specification
- ▷ Special paint systems
- ▷ Corrosion protection
- ▷ ATEX zone 1 specification
- ▷ Chain collectors (galvanised or stainless steel)
- ▷ Air Service units
- ▷ Festoon systems
- ▷ Radio control
- ▷ Main air shut off valve

MODEL	WLL	LIFTING SPEED WITH LOAD	LIFTING SPEED WITHOUT LOAD	LOWERING SPEED WITH LOAD
TCR-6000/2	6000 kg	1.4 m/min	2.9 m/min	2.3 m/min
	AIR CONSUMPTION LIFTING	AIR CONSUMPTION LOWERING	AIR CONNECTION	MINIMUM HOSE DIA.
TCR-6000/2	33 l/sec	43 l/sec	1/2" BSP	3/4" HOSE
	CHAIN FALLS	WORKING PRESSURE	WEIGHT WITH 3M HOL	ADDITIONAL METRE HOL
TCR-6000/2	2	6 bar	91 kg	5.4 kg

C = CORD CONTROL PE = PENDANT



All measurements are in mm  
Information subject to change without notice



Image for illustration purposes only



**ATEX ZONE 2 AS STANDARD**

## FIRST INTEGRATED SOLUTIONS

First Integrated House, Broadfold Road  
Bridge of Don, Aberdeen  
United Kingdom, AB23 8EE

T: +44 (0) 1224 787585  
E: sales@firstintegrated.co.uk  
W: www.firstintegrated.co.uk